

PRODUCT INFORMATION PACKET

Model No: 5KCR49PN0492S

Catalog No: C1314

3/4 HP General Purpose Farm Duty Motor, 1 phase, 1800 RPM, 115/208-230 V, 56 Frame, TENV
Single Phase Farm Duty Motors



Regal and Marathon are trademarks of Regal Beloit Corporation or one of its affiliated companies.
©2020 Regal Beloit Corporation, All Rights Reserved. MC017097E

REGAL



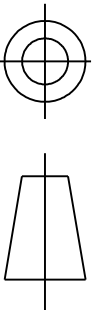
Nameplate Specifications

Output HP	0.75 Hp	Output KW	0.56 kW
Frequency	60 Hz	Voltage	115/208-230 V
Current	7.0,3.8-3.5 A	Speed	1725/1425 rpm
Service Factor	1.3	Phase	1
Efficiency	75.5 %	Power Factor	0
Duty	Continuous	Insulation Class	B
KVA Code	H	Frame	56
Enclosure	Totally Enclosed Non Ventilated	Thermal Protection	AUTO
Ambient Temperature	40 °C	Drive End Bearing Size	6203
Opp Drive End Bearing Size	6203	UL	Recognized
CSA	Yes	CE	N

Technical Specifications

Electrical Type	Capacitor Start Capacitor Run	Starting Method	SM
Poles	4	Rotation	Counterclockwise/Clockwise
Mounting	Resilient Base	Motor Orientation	ANY
Drive End Bearing	BALL	Opp Drive End Bearing	Ball
Frame Material	Rolled Steel	Overall Length	11.38 in
Frame Length	7.15 in	Shaft Diameter	0.630 in
Shaft Extension	1.88 in		
Outline Drawing	52A107710P4	Connection Drawing	52A105383AC

This is an uncontrolled document once printed or downloaded and is subject to change without notice. Date Created:03/11/2020



THIRD ANGLE PROJECTION

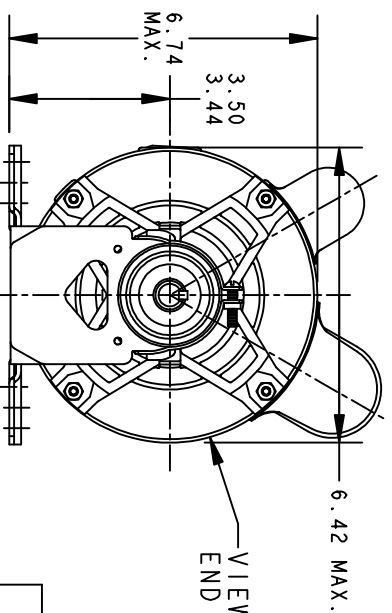
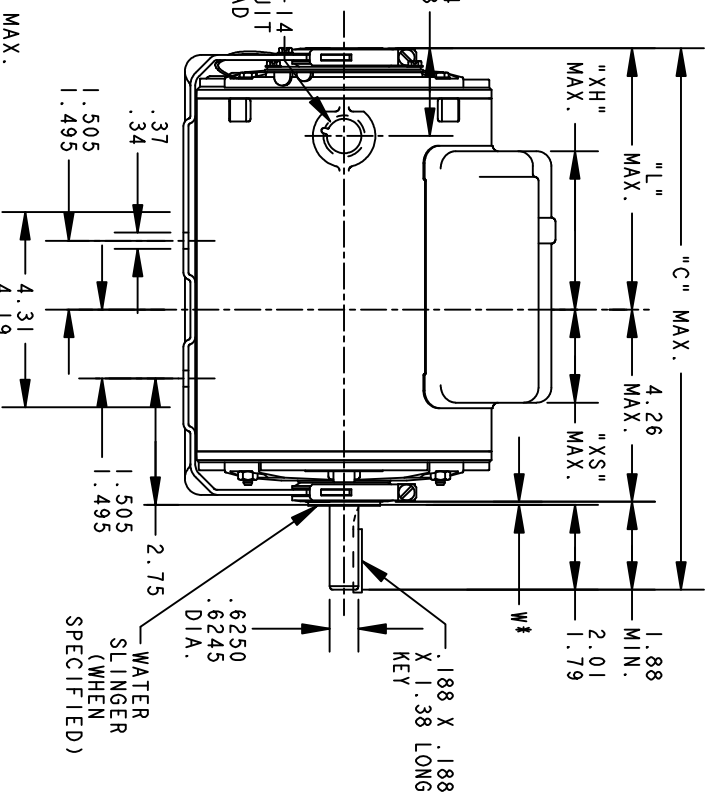
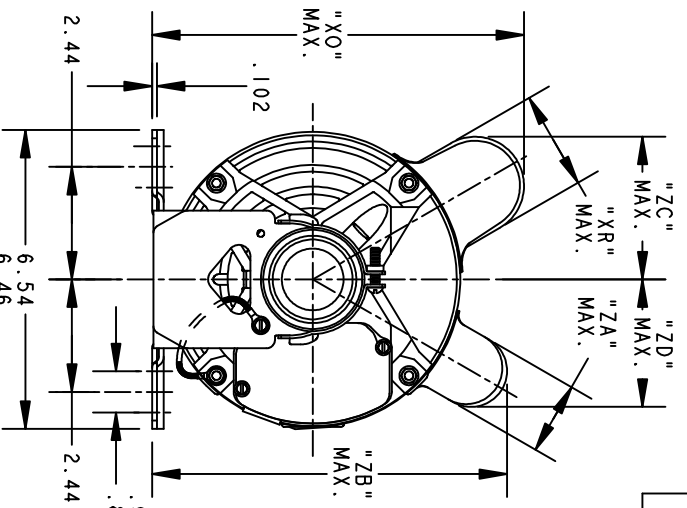
REV. DESCRIPTION		DATE	APPROVED
11	ADDED PART #5	03/24/00	R.P.C.
12	CHG TO RBC FORMAT PER IS05-1777	03/01/06	SUDHA
13	ADDED GD LEAD AT OE PER IS11-1850	06/29/11	RAJESH

REVISIONS

SHEET 1
REV 13

52A107710

DRAWING NO. A
SIZE A



VIEW OF P.E. END SHIELD
* W IS A VARIABLE CLEARANCE DUE TO VARIATIONS IN PARTS AND ASSEMBLY

ALL DIMENSIONS ARE IN INCHES

P	TYPE	GE SIZE	NEMA FR.	"C"	"L"	"XH"	"XO"	"XR"	"XS"	"ZA"	"ZB"	"ZC"	"ZD"	MIN. SHELL
5	KCR	48	56	12.66	6.50	3.76	8.18	2.15	2.01	1.60	7.99	3.20	2.86	8.43
4	KCR	49	56	11.38	5.22	3.51	8.18	2.15	2.24	1.60	7.63	3.20	3.16	7.15
3	KCR	46	56	10.78	4.62	2.91	8.18	2.15	2.84	2.40	8.40	3.20	3.38	6.55
2	KCR	46	56	10.78	4.62	2.91	8.18	2.15	2.84	1.60	7.63	3.20	3.16	6.55
1	KCR	49	56	11.91	5.75	3.58	8.18	2.15	2.17	1.60	7.81	3.20	2.86	7.68

SIGNATURES		DATE
MODEL	M.D. PAPE	07/01/91
DETAIL		
CHECKED		
ENGRG		
MFG		
QUALITY		
ISSUED	M.D. PAPE	02/29/93

TITLE		SIZE	DRAWING	REV
REGAL-BELOIT CORPORATION		A	A	13
GENERAL PURPOSE MOTOR TENV - BALL BEARING		RESILIENT BASE FME - 40 FRAME REDESIGN (5KCR49SN0020S)		
SCALE: 0.250		REF. No.:	SHEET 1 of 1	



REGAL-BELOIT CORPORATION

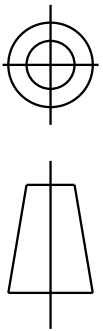
OUTLINE

GENERAL PURPOSE MOTOR TENV - BALL BEARING

RESILIENT BASE FME - 40 FRAME REDESIGN (5KCR49SN0020S)

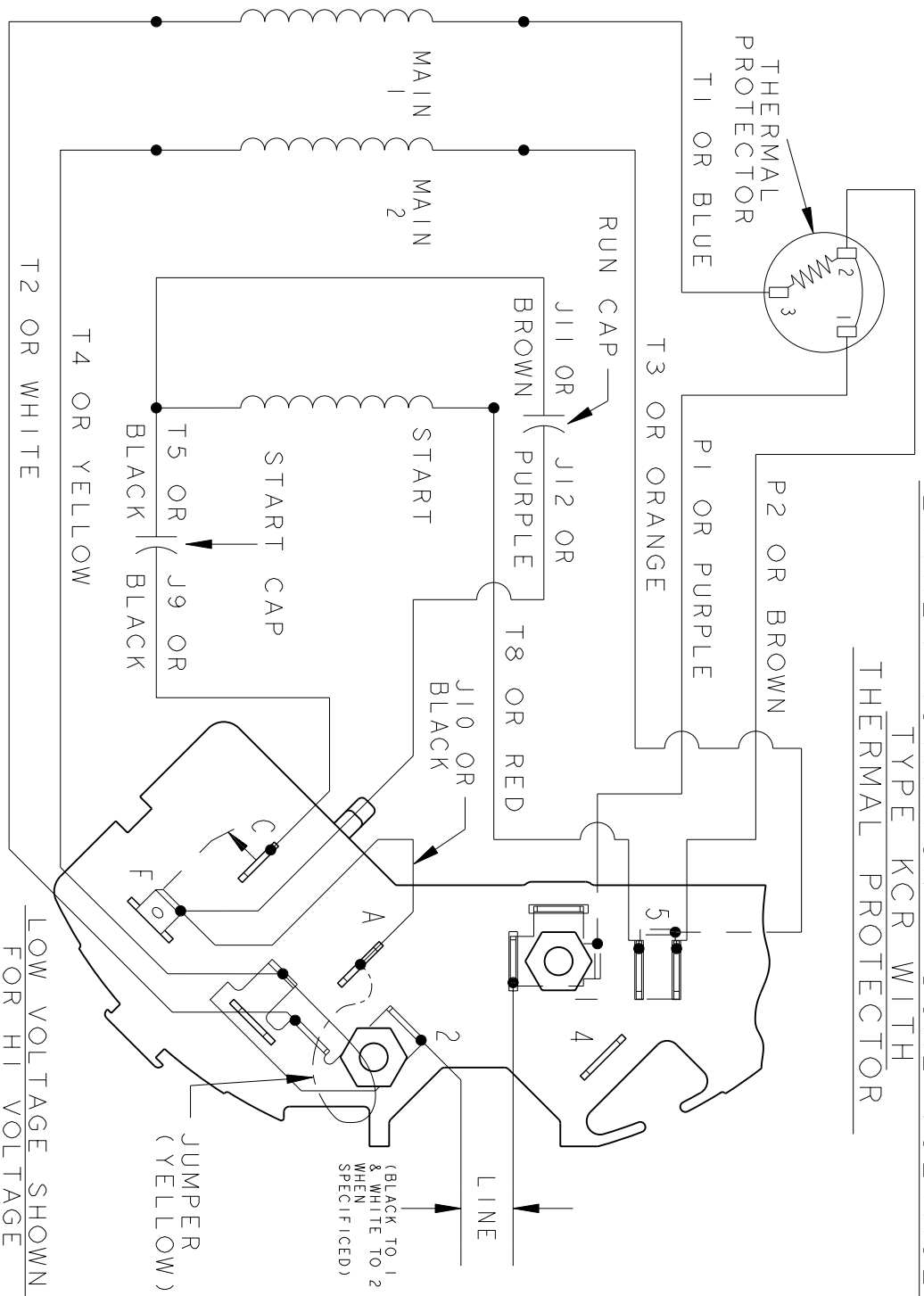
SIZE A
DRAWING A
REV 13

SCALE: 0.250 REF. No. SHEET 1 of 1



REV.	DESCRIPTION	DATE	APPROVED
4	ADDED NOTE FOR LINE LEAD PER DS09-1045	07/15/09	ARCHANA

EITHER ROTATION - DUAL VOLTAGE
TYPE KCR WITH
THERMAL PROTECTOR



LOW VOLTAGE SHOWN
FOR HI VOLTAGE
SEE NOTE #1

- NOTE #1 - FOR HI VOLTAGE REMOVE BROWN (P2) FROM TERMINAL #5 AND PLACE ON TERMINAL #4, REMOVE WHITE (T2) FROM TERMINAL #2 AND PLACE ON TERMINAL #5.
- NOTE #2 - TO REVERSE ROTATION INTERCHANGE BLACK (J10) AND RED (T8) LEADS.
- NOTE #3 - WHEN MORE THAN ONE CAPACITOR IS USED CONNECT IN PARALLEL.

REF. DIAG. - NONE

SWITCH - 115D958AC
CONNECTION LABEL - 52X332051

SIGNATURES		DATE
MODEL	M.D. PAPE	03/03/88
DETAIL	.	.
CHECKED	.	.
ENGRG	.	.
MFG	.	.
FOR ADDITIONAL INFO REFER TO:	QUALITY	.
APPLIED PRACTICES	ISSUED	M.D.P. 03/03/88
DIMENSIONS ARE IN INCHES	SOLID MODEL:	52A105383AC



REGAL-BELOIT CORPORATION

CONNECTION DIAGRAM

30 FRAME SWITCH REDESIGN

SIZE	DRAWING	SCALE: 1.000	REF. No.:	SHEET 1 of 1
A				